

Conical dampers

type K/E

Art.Code	D (mm)	H (mm)	M (mm)	G (mm)
K2517E	25	17	M6i	6
K4028E	40	28	M8i	8
K4053E	40	53		8
K5018E	50	18	M10i	10
K5021E	50	21		10
K5022,5E	50	22,5		10
K5030E	50	30		10
K5035E	50	35		10
K5039E	50	39		10
K6022E	60	22		10
K7525E	75	25	M12i	12
K7528E	75	28		12
K8025E	square 80	30		12
K8060E	80	60		12
K12545E	125	45	M16i	16
K12580E	125	80		16
K12590E	125	90		16

Column L: standard stock keeping items are printed bold, all other sizes are available on request.

Material: NR (Natural Rubber)

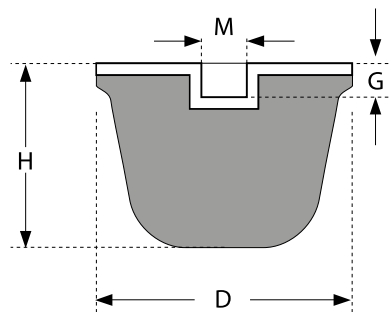
Standard available in:

40° ± 5° Shore A

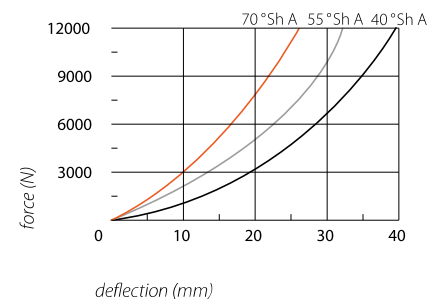
55° ± 5° Shore A

70° ± 5° Shore A

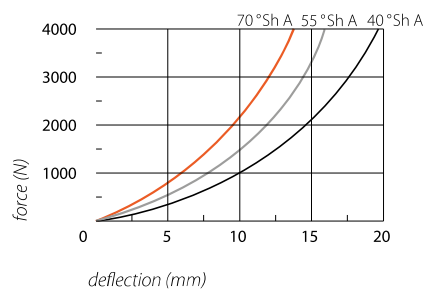
Type K/E



Type K8060E



Type K5035E



Type K12590E

